

REV	NOTE
B/0	

1. SAFETY STANDARD / 安规标准化

The power supply shall be certified by the following international regulatory standards:

电源应符合下列国际标准:

Country 国家	Certified Status 认证	Standard/标准
EU	CE	EN 55032: 2015, EN 55035: 2017 EN 61000-3-2: 2014, EN 61000-3-3: 2013

2. INPUT FEATURE / 输入特性

2.1 RATED INPUT VOLTAGE:110Vac. 额定输入电压 100-240Vac.

2.2 INPUT RANGE VOLTAGE:110Vac. 输入电压范围 100-240Vac.

2.3 RATED INPUT FREQUENCY:50/60Hz. 额定输入频率 50 或 60Hz.

2.4 INPUT RANGE FREQUENCY:47Hz-63Hz. 输入频率范围 47Hz-63Hz.

3. OUTPUT FEATURE / 输出特性

RATED OUTPUT/额定输出	SPEC.LIMIT/规格限定		REMARK/备注
(Output Regulation)/输出电压	No load	12±0.5VDC	100-240Vac
	Io=2000mA cc mode	≥11.0Vdc	
(Output Current)/输出电流	0mA Min	2000mA (2500mA 11V Max)	100-240Vac

4. PROTECTION FEATURE / 保护特性

4.1 Over-CURRENT PROTECTION / 过电流保护:

The power supply shall be hiccupped when any output operating in overload condition (set @ Max load). Under any line condition for an indefinite period of time. The power supply shall be self-recovery when the fault condition is removed.

在任何时候, 任何输入条件, 当输出操作在过载条件时 (设定为最大负载电流) 时, 电源供应器将进入限流模式, 输出电压开始下降。当过载故障消失后, 电源要能自动恢复到正常。


4.2 SHORT-CIRCUIT PROTECTION / 输出短路保护:

The power supply shall be hiccupped and no damage shall occur when any output operating in a short circuit condition under any line condition for an indefinite period of time. The power supply be self-recovery when the fault condition is removed.

在任何时候, 任何输入条件下, 当输出操作有短路情况时, 电源供应器将进入限流模式, 当短路故障消失后, 电源能自动恢复正常。

4.3 INPUT PROTECTION / 输入保护:

The power supply has a 250V Fuse to protect itself. 电源使用一个 250V 的保险管自动保护。

Soshine International (H.K.) CO., Limited		DATE	2021-4-6	PRED.	CHED.	APPO.
	MODEL	SP-03C1202000-G				

REV	NOTE
B/0	

5. ENVIRONMENTAL CONDITIONS / 环境条件

5.1 OPERATIONG / 操作条件

The power supply shall be capable of operating continuously in any mode without performance deterioration in the following environmental conditions.

在下列环境条件下，电源供应器要能够连续操作在积压促模式，且不能造成性能的退化。

5.1.1 Operating Temperature: 0°C~40°C 操作温度: 0°C~40°C

5.1.2 Relative Humidity: 20%~90% 相对湿度: 20%~90%

5.2 NON-OPERATION / 非操作条件

The power supply shall be capable of withstanding the following environmental conditions extended periods of time, without sustaining electrical or mechanical damage and subsequent operational deficiencies.

电源供应器要能够长期的经受下列的环境条件下，且不允许有电气及机械方面的损伤和并发的操作的缺失。

5.2.1 Storage Temperature: -20°C~85°C 存储温度: -20°C~85°C

5.2.2 Relative Humidity: 10%~95% 相对湿度: 10%~95%

6. RELIABILITY AND QUALITY CONTROL / 可靠性及品质控制

6.1 BURN-IN / 老化


The power supply shall under go a minimum of 8 hours Burn-In test under full load at room temperature and 220Vac input voltage.

电源应在室温和 220Vac 输入和满载条件下 8 小时无异常。

7. WEIGHT / 重量

The weight of the power supply shall be about 147g.


电源的重量大约为 147 克。

Soshine International (H.K.) CO., Limited	DATE	2021-4-6	PRED.	CHED.	APPO.
	NAME	SP-03C1202000-G			

REV	NOTE
B/0	

8. SAMPLE PRIMARY TEST REPORT / 样品初测报告

Test Items/测试项目	Test Condition 测试条件	样品数量和测试结果						PASS/FAIL
		#1	#2	#3	#4	#5	Unit	
Unload output voltage 空载输出电压 12±1Vdc	220Vac	12.23	12.23	12.24	12.22	12.23	11.23V	PASS
Full load output voltage 满载输出电压 ≥11.0Vdc at 2000mA	220Vac	11.38	11.36	11.37	11.35	11.36	11.36V	PASS
Short-circuit protection test 短路保护测试	220Vac	OK	OK	OK	OK	OK	OK	PASS
Appearance/外观	无刮伤, 字迹 清晰, 无误	OK	OK	OK	OK	OK	OK	PASS

Soshine International (H.K.) CO., Limited		DATE	2021-4-6	PRED.	CHED.	APPO.
	NAME	SP-03C1202000-G				

REV	NOTE
B/0	

9. EXTERNAL VIEW / 外观图



Soshine International (H.K.) CO., Limited	DATE	2021-4-6	PRED.	CHED.	APPO.
Soshine	NAME	SP-03C1202000-G			

REV	NOTE
B/0	

10. NAMEPLATE VIEW / 铭牌图

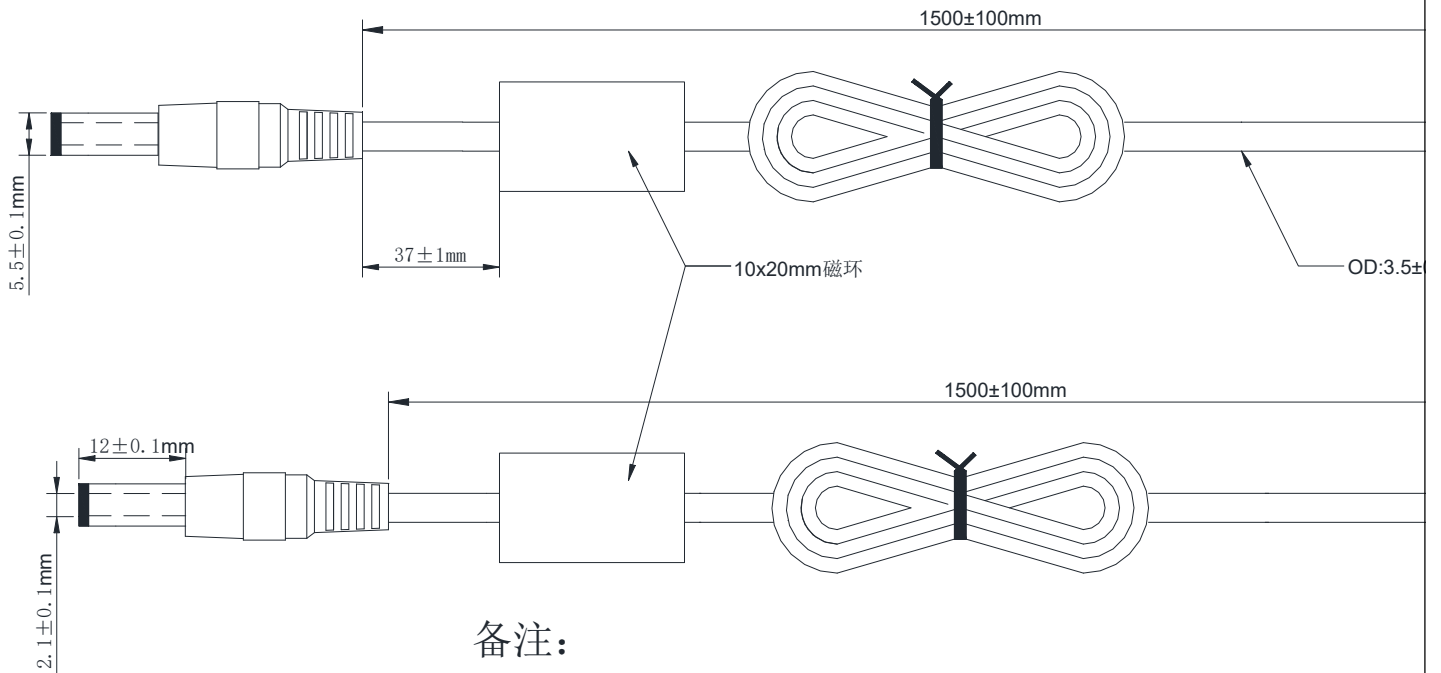


27*30mm PVC

Soshine International (H.K.) CO., Limited		DATE	2021-4-6	PRED.	CHED.	APPO.
Soshine	NAME	SP-03C1202000-G				

REV	NOTE
B/0	

11. DC CORD VIEW / DC 线图



备注:

单位: mm

输出线: AWM2464 22AWGx2C 长1500mm

PLUG头 5.5*2.1*12(mm)

Soshine International (H.K.) CO., Limited	DATE	2021-4-6	PRED.	CHED.	APPO.
Soshine	NAME	SP-03C1202000-G			